

## МОДЕЛЬНЫЙ РЯД



**RO EC с назад загнутыми  
лопатками и  
ЕС-двигателем  
для прямоугольных и  
крышных вентиляторов**

## RO310B-6E-EC0S

### ТЕХНИЧЕСКИЕ ДАННЫЕ

Supply	1P,200~277V	Rated current	2.1 A
Frequency	50/60 Hz	Rated speed	2020 r/min
Motor poles	6	Max airflow	3500 m <sup>3</sup> /h (Static pressure=0Pa)
Rated voltage	230 VAC	Acoustic	69 dB(A) measured at 1.0m from inlet side
Power input	470 W	ErP level	2020

- Operating ambient temperature range: -25°C ~ +50°C
- Working environment humidity range: < 90%
- Transportation and storage temperature range: -40°C ~ +80°C
- Transportation and storage environment humidity range: < 80%
- The storage place is well ventilated, corrosive gases not contained.

Mass	6.55 kg
Size	φ310 mm
Impeller material	Sheet aluminium
Rotation	Counter-clockwise (Seen from cable exit)
Protection class	IP54
Insulation class	F
Mounting	Shaft horizontal or rotor on bottom; rotor on top on request
Mode of operation	S1 (Continuous operation)
Bearings	Maintenance-free ball bearings
Controller	Controller integrated with motor, 0~10V or PWM control

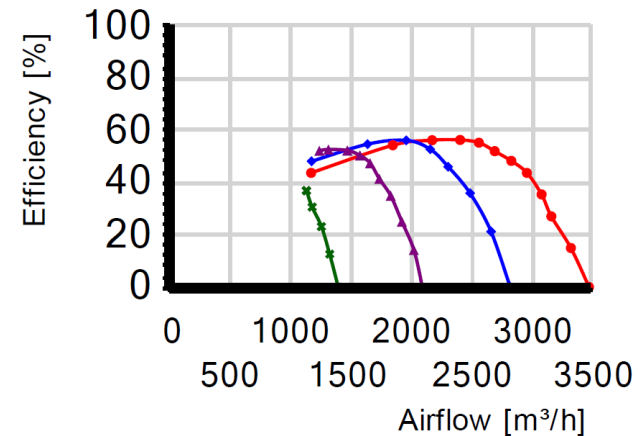
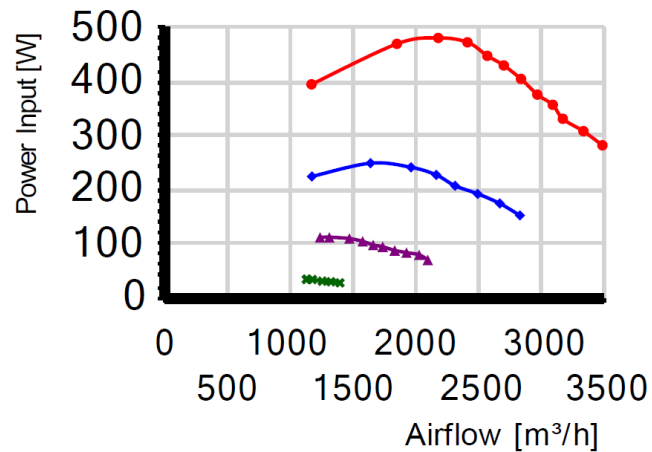
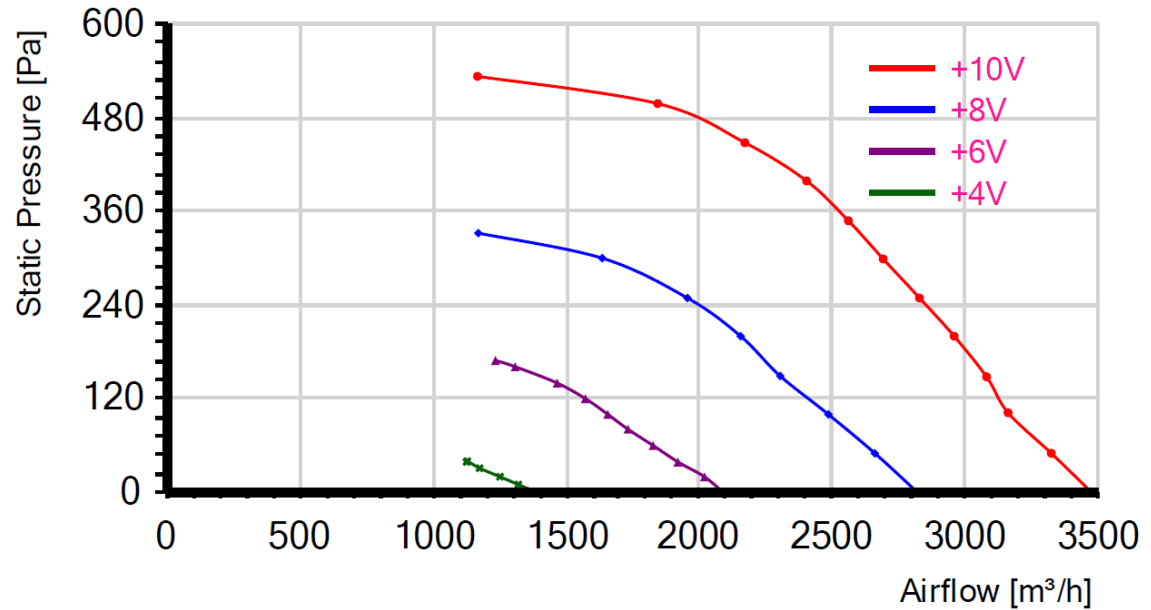
## МОДЕЛЬНЫЙ РЯД



RO EC с назад загнутыми лопатками и EC-двигателем для прямоугольных и крышных вентиляторов

### RO310B-6E-EC0S

ГРАФИКИ



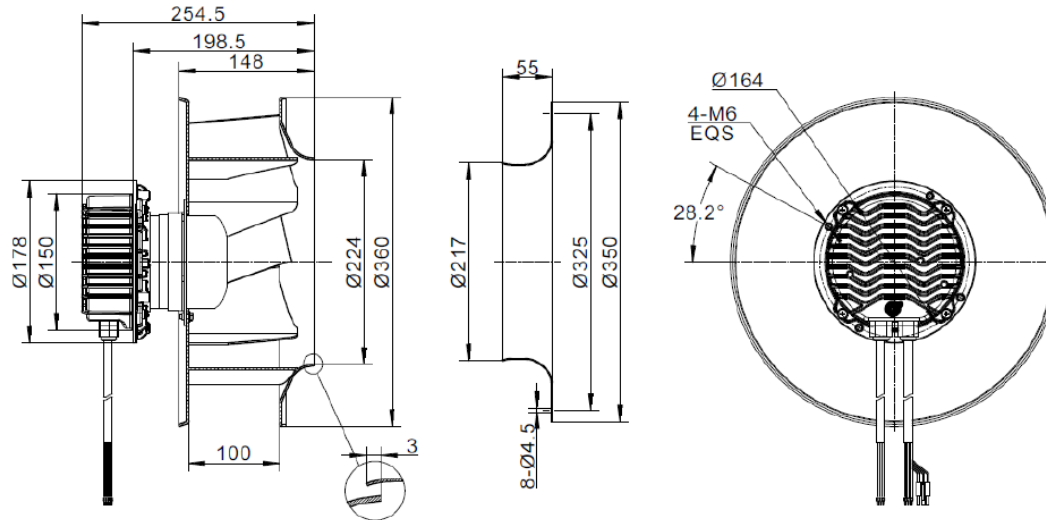
## МОДЕЛЬНЫЙ РЯД



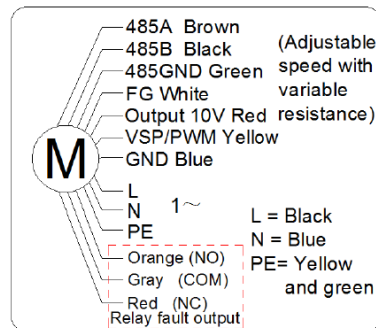
RO EC с назад загнутыми лопатками и EC-двигателем для прямоугольных и крышных вентиляторов

## RO310B-6E-EC0S

### ЧЕРТЁЖ



### СХЕМА ПОДКЛЮЧЕНИЯ



Connection	Assignment/function
L, N	Single-phase supply connection, voltage range 200-277VAC, frequency 50/60Hz
PE	Protective earth
485A	RS485 interface for MODBUS-RTU
485B	RS485 interface for MODBUS-RTU
485GND	Reference ground for control interface
NC	Status relay, mode2--close on normal, open on fault
COM	Common connection of status relay, contact rating 250VAC/3A
NO	Status relay, mode2--open on normal, close on fault
FG	Speed feedback output, 2 pulses per revolution, can be customized
+10V	10VDC output, maximum output current 10mA
VSP/PWM	Speed control signal input connection, 0-10V voltage or PWM signal (amplitude 10-12V, frequency 1-10kHz)
GND	Signal ground for control interface